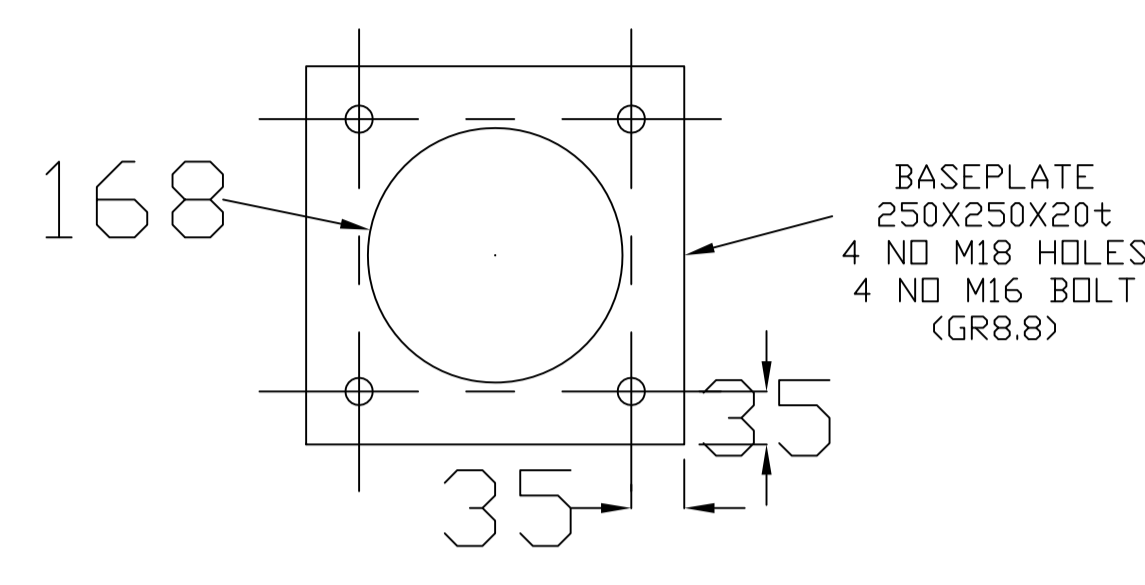
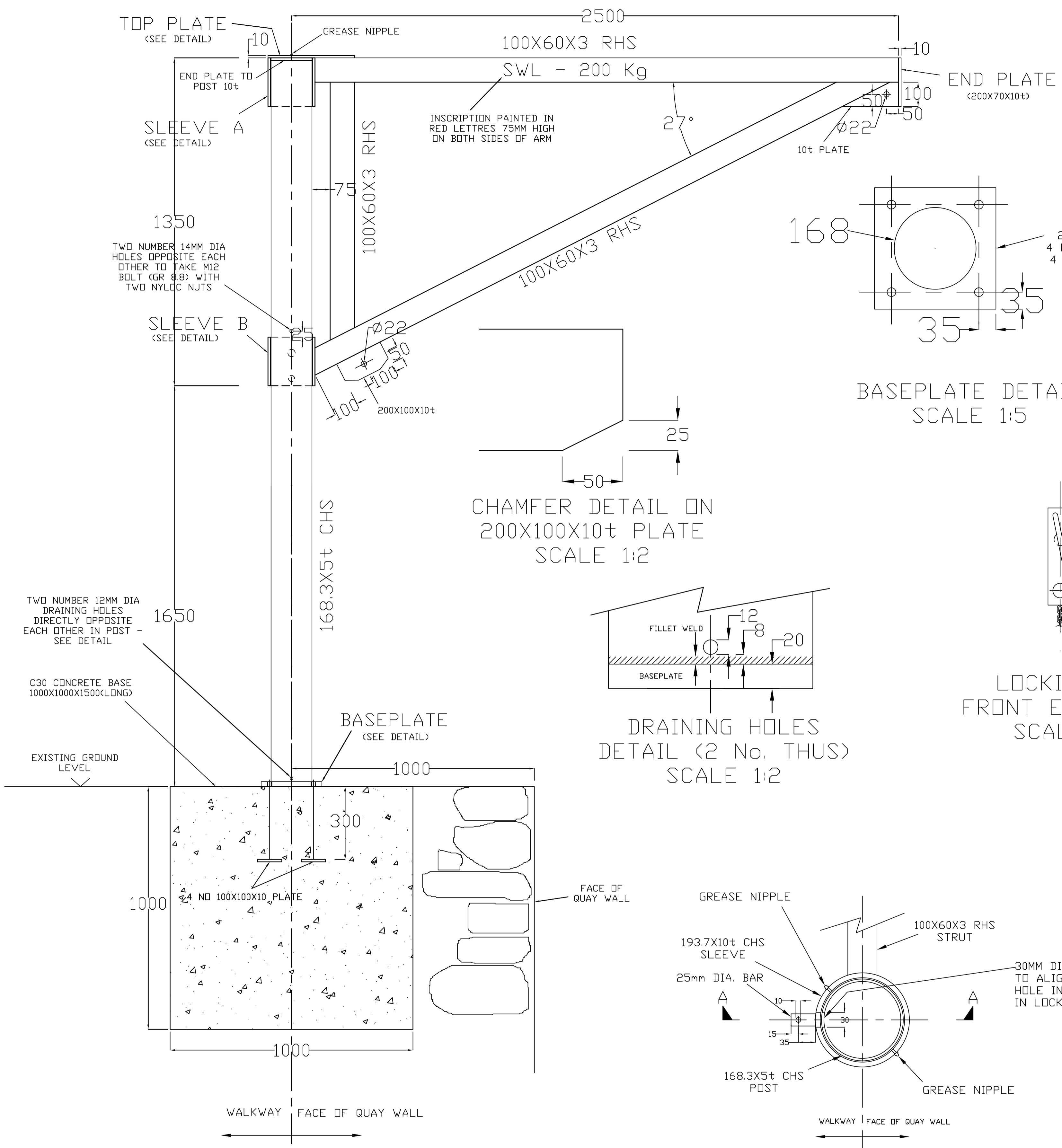
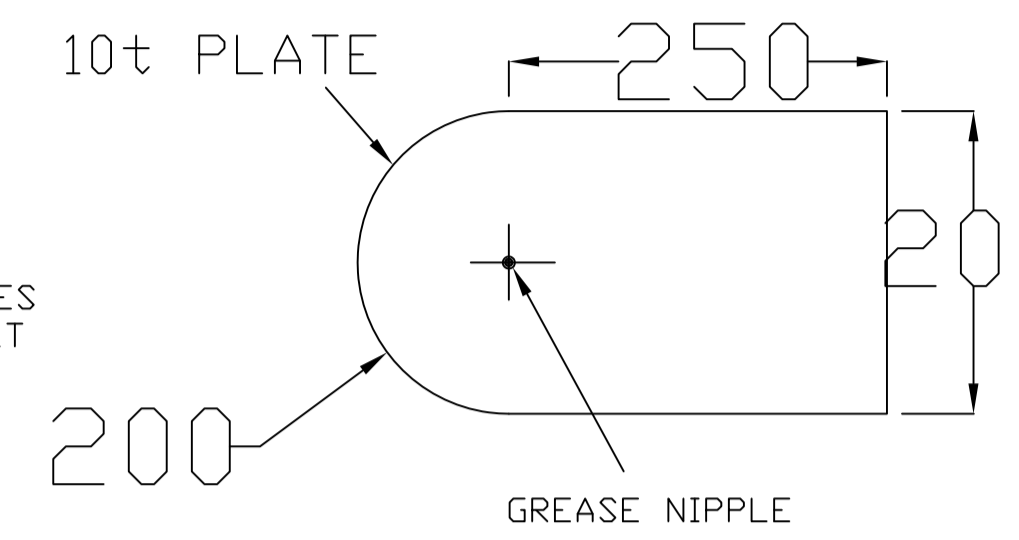


NOTES

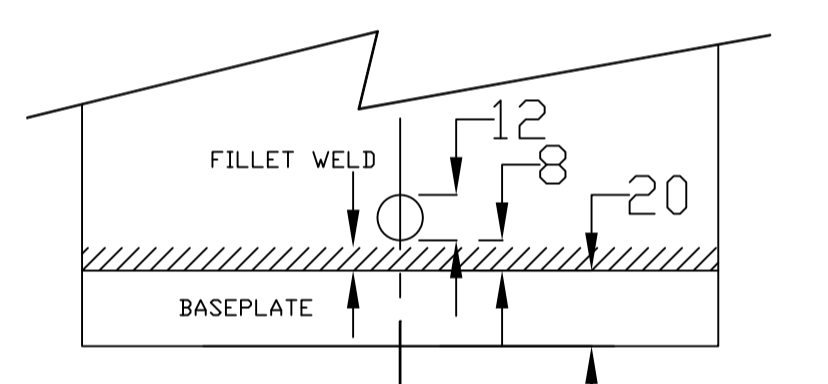
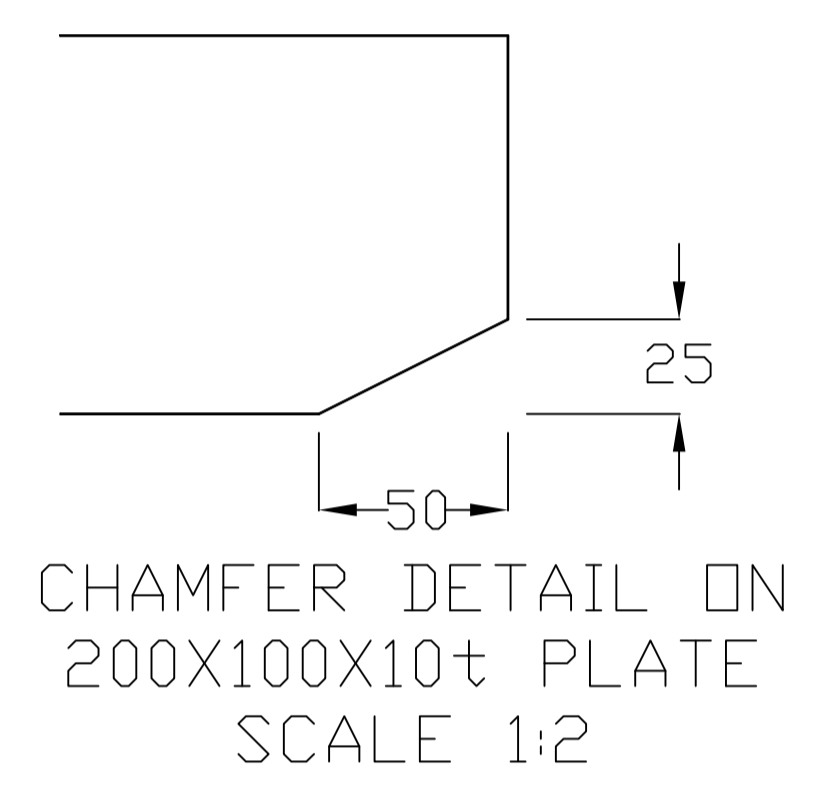
1. All dimensions are in millimeters
2. Grade of steel S275
3. All welds to be 6mm fillet full profile
4. All steel to be cleaned to Sa2 standard
5. All steel to be hot-dip galvanised to B.S.729 - thickness 140µm
6. All bolts to be hot-dip galvanised. Stainless steel may be used but must be isolated from being in contact with all galvanised steel.
7. For location of derricks refer to Drg No. ED/2058/2



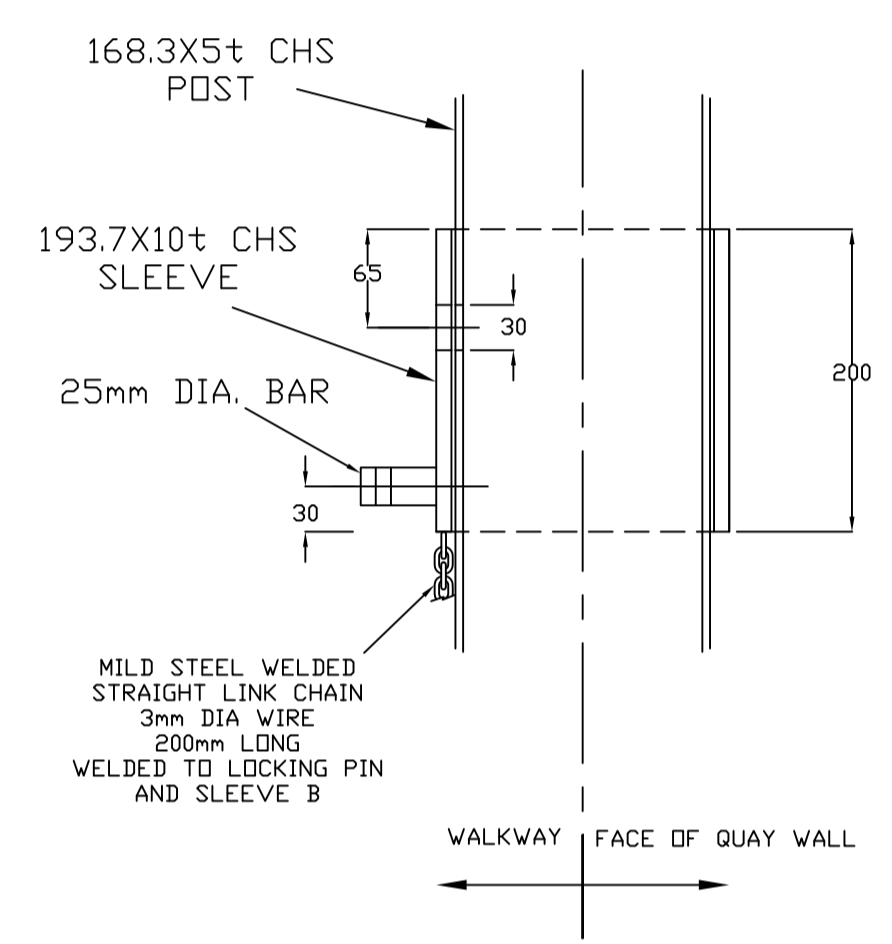
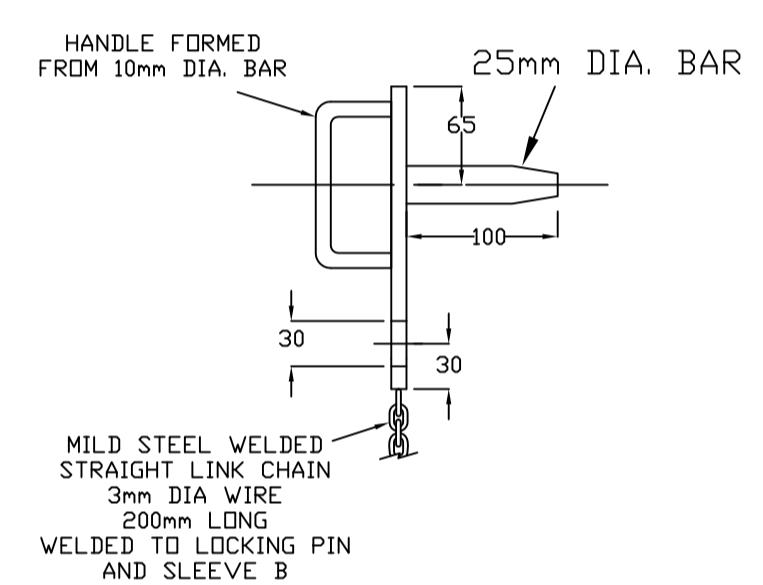
BASEPLATE DETAIL
SCALE 1:5



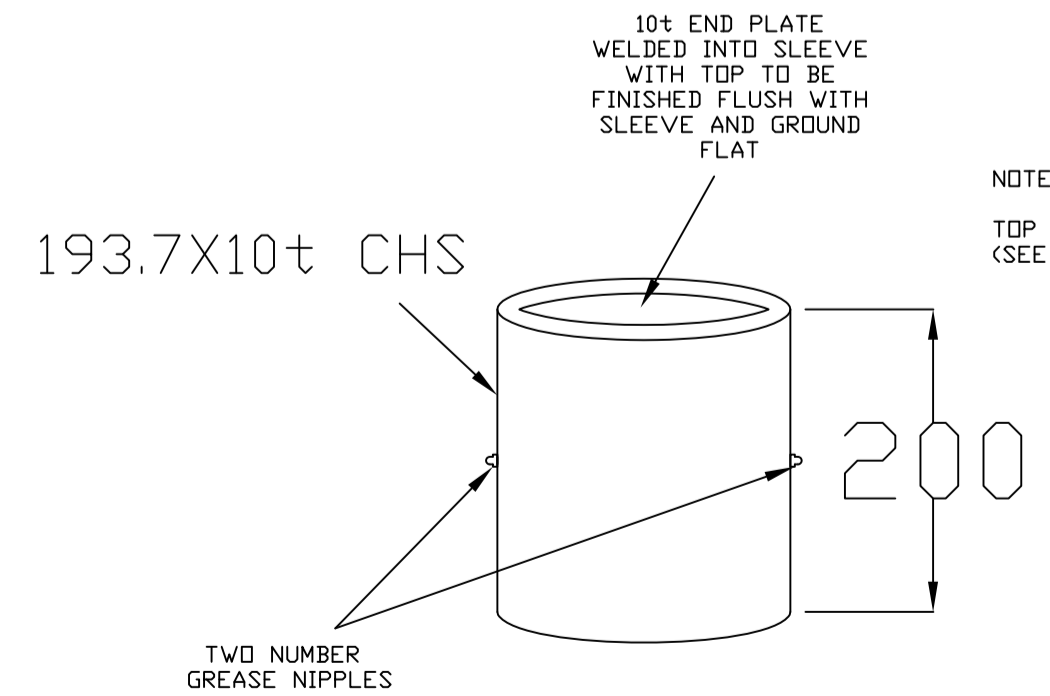
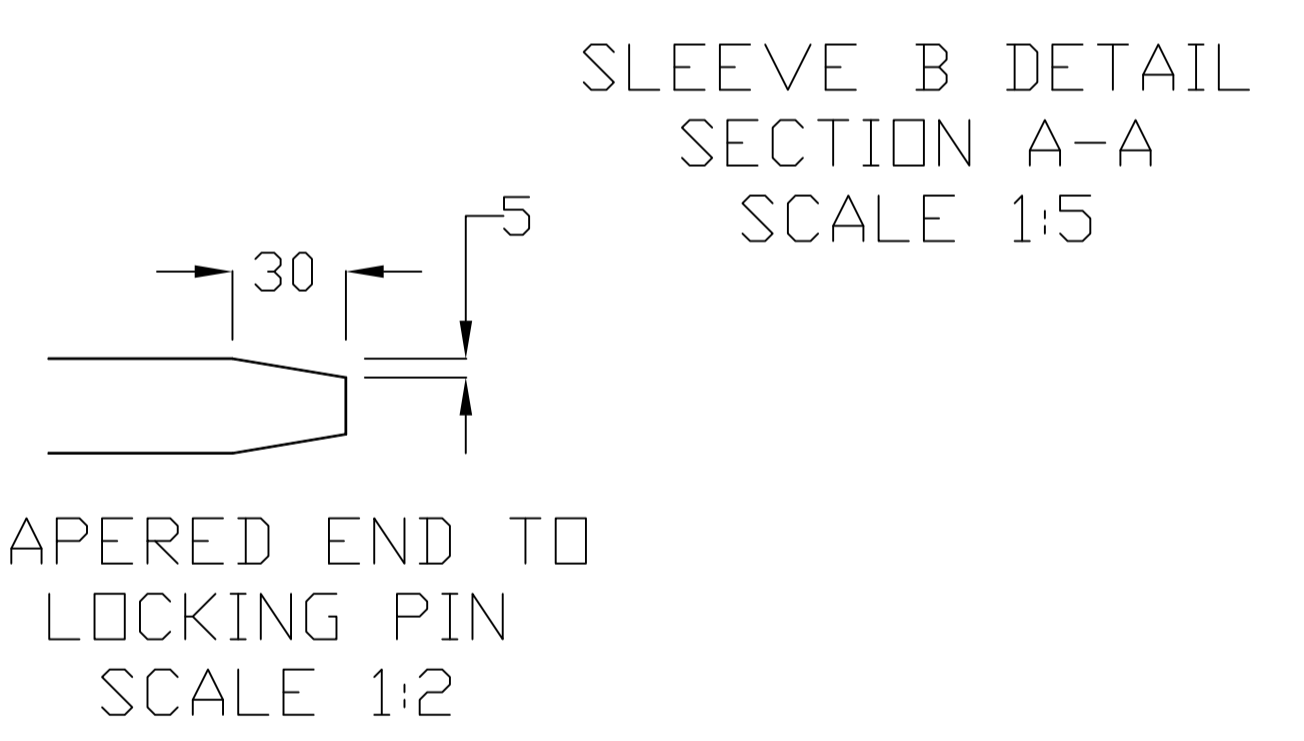
TOP PLATE DETAIL
SCALE 1:5



LOCKING PIN
FRONT ELEVATION
SCALE 1:5



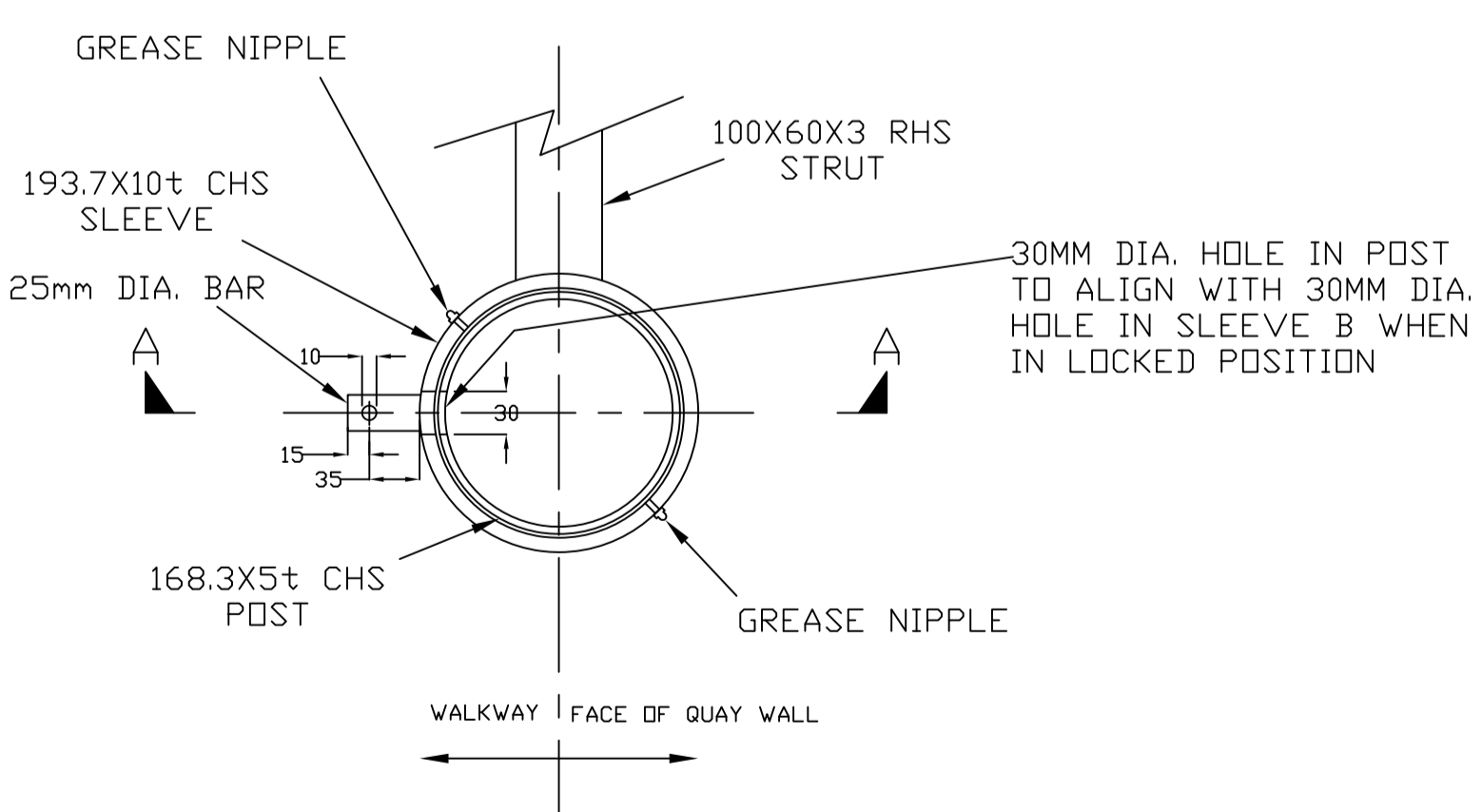
- NOTE:**
- A) IN LOCKED POSITION 30MM DIA. HOLE IN 168.3 X 5t CHS POST TO LINE UP WITH 30MM DIA. HOLE IN SLEEVE B.
 - B) DERRICK MUST BE LOCKED WITH MAST ARM PARALLEL TO QUAY WALL.
 - C) HOLE IN 168.3 X 5t CHS POST TO BE POSITIONED AWAY FROM FACE OF QUAY WALL.



NOTE:
TOP PLATE OMITTED FOR CLARITY
(SEE TOP PLATE DETAIL)

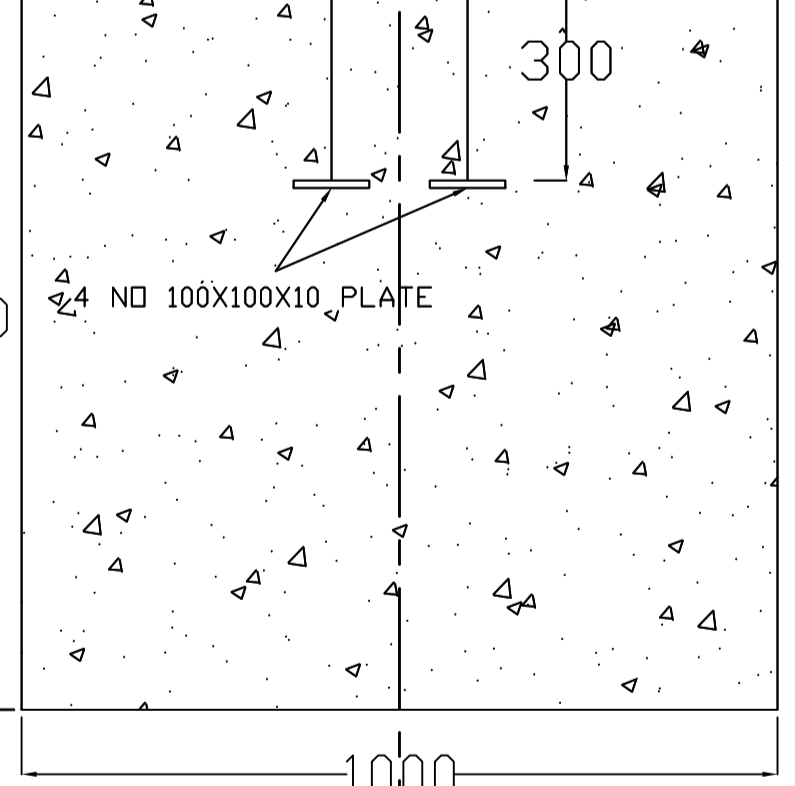
DERRICK ELEVATION
SCALE 1:10

SLEEVE B DETAIL
TOP VIEW
(LOCKED POSITION)
SCALE 1:5



TWO NUMBER 12MM DIA
DRAINING HOLES
DIRECTLY OPPOSITE
EACH OTHER IN POST -
SEE DETAIL

C30 CONCRETE BASE
1000X1000X1500(LONG)



Revised	Amendments	Initials	Date
T	ISSUED FOR TENDER		
<p>Cyngor Sir Ceredigion Prifffyrdd, Eiddo a Gwaith. County Council Highways, Property & Works.</p> <p>CEREDIGION FISHING PORT FACILITIES DERRICK DETAILS</p>			
Scales :		Drawing No.	
AS SHOWN		ED/2058/1	
Made by	Checked	Approved	
JMH			06-06
Originator	Checked	Approved	
			How F. Morgan, B.Sc., C.Eng., MICE. Cyfarwyddwr Prifffyrdd, Eiddo a Gwaith Director of Highways, Property and Works Neuadd y Siar County Hall, Hod's Farchnad/Market Street, Aberafon, SA46 0AT